

Electric Hand-Held Paint Sprayers

3A2854A
EN

**- For portable spray applications of architectural paints and coatings only -
- Not approved for use in explosive atmosphere locations -**



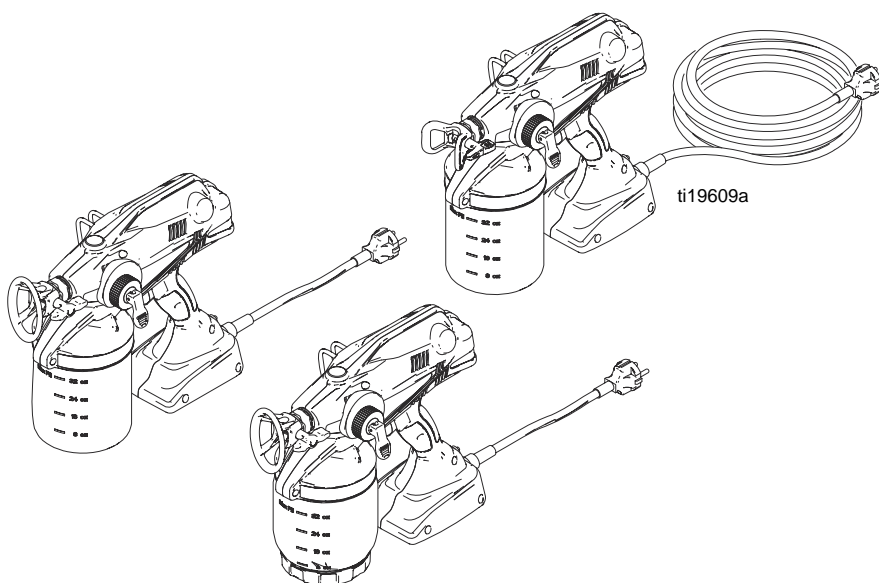
IMPORTANT SAFETY INSTRUCTIONS

Read all warnings and instructions in this manual. Save these instructions.

All Models:

Maximum Working Pressure 2000 psi (14 MPa, 138 bar)

	Model	CE	✓
230V	16N661	✓	
	16N662	✓	
	16N663	✓	
	16N667		✓
	16P122	✓	



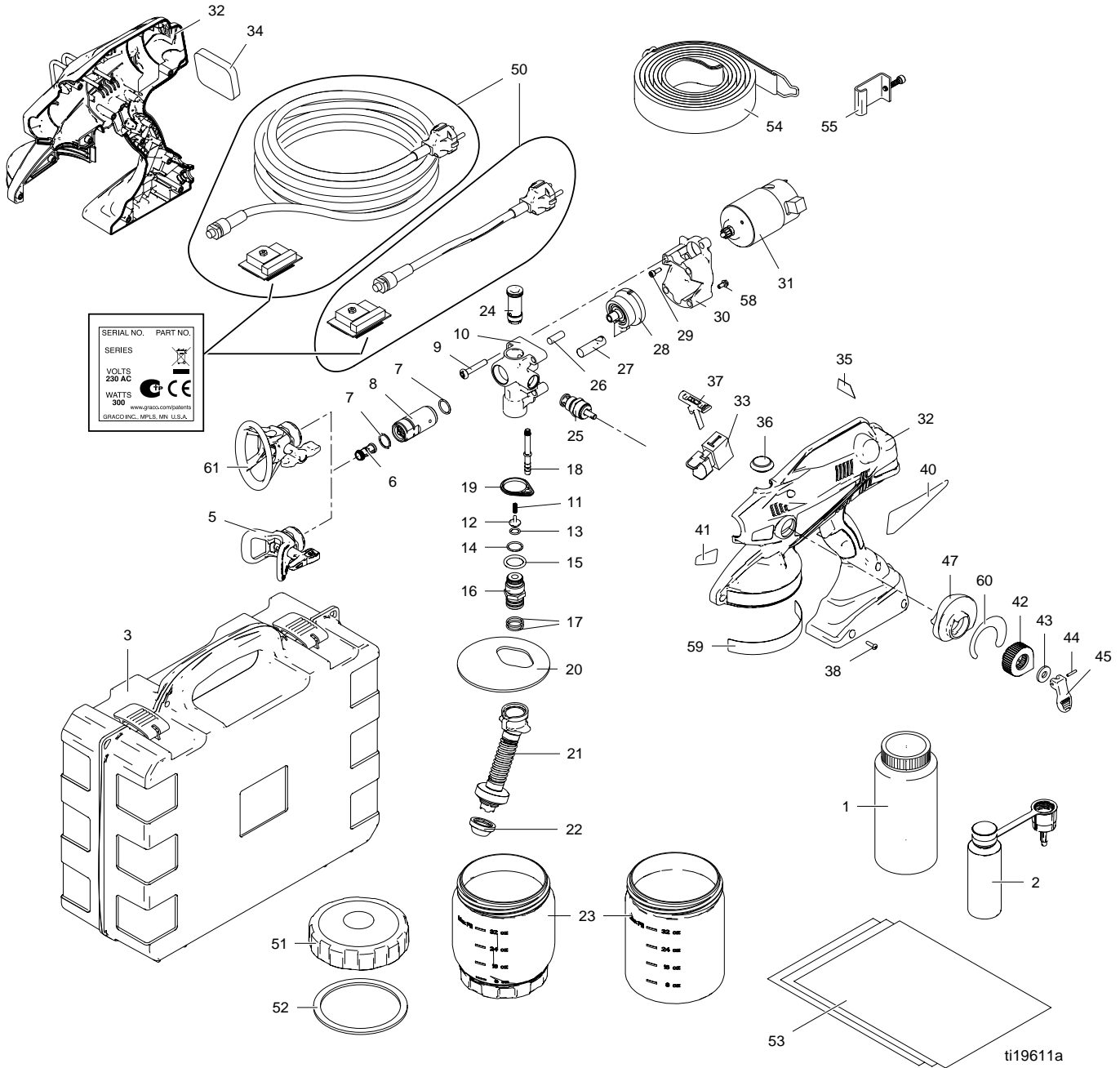
WARNING



Use only water-based materials. Do not use materials which state "FLAMMABLE" on the packaging. For more information about your material, request MSDS from distributor or retailer.

Replacement Parts

Models 16N661, 16N662, 16N663, 16N667, 16P122



Parts List - 16N661, 16N662, 16N663, 16N667, 16P122

Ref.	If you have this model sprayer (model number is the same as the part number, which is below the handle)	Order Part Number:	Description
1	All models	243103	Pump Armor (32 oz)
2	Model 16N667	16M816	Startup/Storage Kit
	Models 16N661, 16N662, 16N663, 16P122	16P358	Startup/Storage Kit
3	Model 16N667	24F078	Blue Storage Case (Not included with all models)
	Models 16N663, 16P122	16P463	Black Storage Case (Not included with all models)
5	Model 16N667	PST211	211 Spray Tip/Guard Assembly
	Model 16N667	PST213	213 Spray Tip/Guard Assembly
	Model 16N667	PST315	315 Spray Tip/Guard Assembly
	Model 16N667	PST411	411 Spray Tip/Guard Assembly
	Model 16N667	PST413	413 Spray Tip/Guard Assembly
	Model 16N667	PST515	515 Spray Tip/Guard Assembly (included with model 16N667)
	Model 16N667	PST517	517 Spray Tip/Guard Assembly
6	All models	24E376	1 pack Spray Tip Filter
	All models	24F039	3 pack Spray Tip Filter
7	All models	108195	Needle Assembly O-ring
8	Models 16N661, 16N662, 16N663, 16P122	262438	Needle Assembly Kit: includes parts 7 (qty. 2), 8
	Model 16N667	262437	Needle Assembly Kit: includes parts 7 (qty. 2), 8
9	All models	115478	Screw
10	All models	16M867	Complete Pump Assembly w/Adjustable Prime/Spray Valve: includes parts 10, 11-17, 20, 24-28, 44, 55
	All models	16T447	Pump Housing Only: includes parts 10, 20, 26, 27, 44, 55
11	All models	262602	Inlet valve Repair Kit; includes 11, 12, 13
12	All models	262602	Inlet valve Repair Kit; includes 11, 12, 13
13	All models	262602	Inlet valve Repair Kit; includes 11, 12, 13
14	All models	109576	O-ring
15	All models	119790	O-ring
16	All models	16P151	Inlet/Outlet Valve Repair Kit: includes parts 11-17, 24
17	All models	106553	Suction Tube O-ring
18	Models 16N663, 16P122	16P465	Enclosure Replacement Kit: includes parts 20, 32, 34-37, 38 (qty. 10), 39, 44, 55
	Model 16N662	16P466	Enclosure Replacement Kit: includes parts 20, 32, 34-37, 38 (qty. 10), 39, 44, 55
	Models 16N661, 16N667	16P473	Enclosure Replacement Kit: includes parts 20, 32, 34-37, 38 (qty. 10), 39, 44, 55
19	Models 16N663, 16P122	16P465	Enclosure Replacement Kit: includes parts 20, 32, 34-37, 38 (qty. 10), 39, 44, 55
	Model 16N662	16P466	Enclosure Replacement Kit: includes parts 20, 32, 34-37, 38 (qty. 10), 39, 44, 55
	Models 16N661, 16N667	16P473	Enclosure Replacement Kit: includes parts 20, 32, 34-37, 38 (qty. 10), 39, 44, 55
20	All models	16E403	Sprayer Cup Seal
21	All models	16P121	Flexible Suction Tube Kit: includes parts 17 (qty. 2), 21, 22
22	All models	16N522	Flexible Suction Tube Strainer
(Parts List continues on next page)			

Parts List - Models 16N661, 16N662, 16N663, 16N667, 16P122 (Continued)

Ref.	If you have this model sprayer (model number is the same as the part number, which is below the handle)	Order Part Number:	Description
23	Models 16N661, 16N662	24E374	32 oz Material Cup: includes parts 23, 51, 52
	Models 16N661, 16N662	24E375	48 oz Material Cup: includes parts 23, 51, 52
	Models 16N663, 16P122, 16N667	16D560	32 oz Material Cup: includes parts 23, 51, 52
	Models 16N663, 16P122, 16N667	16D561	48 oz Material Cup: includes parts 23, 51, 52
24	All models	16P151	Inlet/Outlet Valve Repair Kit: includes parts 11-17, 24
25	All models	16M873	Adjustable Prime/Spray Valve Repair Kit: includes 25, 42-45
26	All models	16M867	Complete Pump Assembly w/Adjustable Prime/Spray Valve: includes parts 10-20, 24-28, 44, 49, 55
	All models	16T447	Pump Housing Only: includes parts 10, 20, 26, 27, 44, 55
27	All models	16M867	Complete Pump Assembly w/Adjustable Prime/Spray Valve: includes parts 10, 11-17, 20, 24-28, 44, 49, 55
	All models	16T447	Pump Housing Only: includes parts 10, 20, 26, 27, 44, 55
28	All models	16M864	Reciprocator Assembly Kit: includes parts 20, 28, 44, 55
29	All models	115263	Motor Mount Screw
30	All models	16M925	Drive Housing Assembly Kit: includes parts 9 (qty. 4), 20, 29 (qty. 2), 30, 44, 55, 58
31	Models 16N661, 16N662, 16N663, 16P122	16P427	Motor/Control Board Kit: includes parts 20, 29 (qty. 2), 31, 33, 34, 44, 50, 55, 58
	Model 16N667	16T445	Motor/Control Board Kit: includes parts 20, 29 (qty. 2), 31, 33, 34, 44, 50, 55, 58
32	Models 16N663, 16P122	16P465	Enclosure Replacement Kit: includes parts 20, 32, 34-37, 38 (qty. 10), 39, 44, 55
	Model 16N662	16P466	Enclosure Replacement Kit: includes parts 20, 32, 34-37, 38 (qty. 10), 39, 44, 55
	Models 16N661, 16N667	16P473	Enclosure Replacement Kit: includes parts 20, 32, 34-37, 38 (qty. 10), 39, 44, 55
33	All models	16P666	Switch Kit: includes parts 20, 33, 44, 55
34	Models 16N663, 16P122	16P465	Enclosure Replacement Kit: includes parts 20, 32, 34-37, 38 (qty. 10), 39, 44, 55
	Model 16N662	16P466	Enclosure Replacement Kit: includes parts 20, 32, 34-37, 38 (qty. 10), 39, 44, 55
	Models 16N661, 16N667	16P473	Enclosure Replacement Kit: includes parts 20, 32, 34-37, 38 (qty. 10), 39, 44, 55
35	All models	16F636	Made in USA Label
36	All models	16C936	Outlet Valve Access Plug
37	Models 16N663, 16P122	16P465	Enclosure Replacement Kit: includes parts 20, 32, 34-37, 38 (qty. 10), 39, 44, 55
	Model 16N662	16P466	Enclosure Replacement Kit: includes parts 20, 32, 34-37, 38 (qty. 10), 39, 44, 55
	Models 16N661, 16N667	16P473	Enclosure Replacement Kit: includes parts 20, 32, 34-37, 38 (qty. 10), 39, 44, 55
38	All models	119236	Enclosure Screw
40	Model 16N661	16P153	Side Brand Label
	Model 16N662	16P155	Side Brand Label
	Model 16N663	16P156	Side Brand Label
	Model 16N667	16P158	Side Brand Label

(Parts List continues on next page)

Parts List - Models 16N661, 16N662, 16N663, 16N667, 16P122 (Continued)

Ref.	If you have this model sprayer (model number is the same as the part number, which is below the handle)	Order Part Number:	Description
41	Model 16N661	16P152	Front Brand Label
	Model 16N662	16P154	Front Brand Label
	Models 16N663, 16N667	16P162	Front Brand Label
42	All models	16M873	Adjustable Prime/Spray Valve Repair Kit: includes parts 25, 42-45
43	All models	16M873	Adjustable Prime/Spray Valve Repair Kit: includes parts 25, 42-45
44	All models	119956	Pin
45	All models	262604	Prime Valve Handle: includes parts 44, 45
47	All models	16N448	Pressure Adjust Stop
50	Models 16N661, 16N662, 16N663, 16P122	16P427	Motor/Control Board Kit: includes parts 20, 29 (qty. 2), 31, 33, 34, 44, 50, 55, 58
	Model 16N667	16T129	Motor/Control Board Kit with 230 Vac 15 ft (4.5 m) cord: includes parts 20, 29 (qty. 2), 31, 33, 34, 44, 50, 55, 58
51	All models	24D425	Material Cup Cover: includes parts 51, 52
52	All models	16C650	Seal for Material Cup
53	All models	16D562	Cup Liner Replacement (10 pack)
54	All models	24E377	Shoulder Strap
55	All models	16M945	Enclosure Clip
58	All models	115498	Ground Screw
59	Models: 16N663, 16N667	16R892	Cup Lip Brand Label
60	All models	16R889	Pressure Control Label
61	Models 16N661, 16N662, 16N663, 16P122	NAR311	311 Spray Tip/Guard Assembly
	Models 16N661, 16N662, 16N663, 16P122	NAR315	315 Spray Tip/Guard Assembly
	Models 16N661, 16N662, 16N663, 16P122	XWD515	515 Spray Tip/Guard Assembly (included with models 16N661, 16N662)
	Models 16N661, 16N662, 16N663, 16P122	XWD517	517 Spray Tip/Guard Assembly (included with models 16N663, 16P122)
Not Shown		▲24E609	Warning Labels Replacement Kits ENG/FRE/SPA
		▲24E554	Warning Labels Replacement Kits Europe Multi-Language (23 Total)
		▲16P004	Warning Labels Replacement Kits CHI/JAP/KOR
▲ Replacement Danger and Warning labels, tags, and cards are available at no cost.			